

Specifications

备注 (Remark)

1. 材料 (MATERIAL)

胶芯: PA6T/PBT+30%G.F UL94V-0, 颜色: 黑色.

Housing: PA6T/PBT+30%G.F UL94V-0, Color: Black

端子: 磷/青铜, 镍底30u"MIN, 表面镀金1u"MIN

Contact: Phosphor bronze, 1u"MIN GOLD PLATING OVER ALL
30u" MIN NICKEL UNDERPLATING OVER ALL

2. 特性 (characteristics):

额定电流: 3 AMP

Rating Current: 3 AMP.

接触阻抗: 20 mΩ MAX.

Contact Resistance: 20 mΩ MAX.

绝缘阻抗: 1000 MΩ MIN.

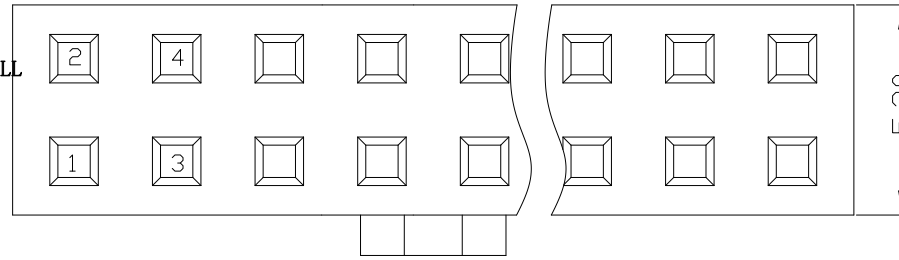
Insulating Resistance: 1000 MΩ MIN.

耐电压: AC 500V.

Withstanding Voltage: AC 500V.

温度范围: -40°C to +105°C

Temperature Range: -40°C to +105°C



Ordering Information

F150-12 XX XX X SU AX

NO. OF PINS
PER ROW
2~40P

Contact Plating

Full Of Gold

A0=0.8u"

A1=1u"

A2=1.5u"

A3=2u"

A4=3u"

A5=5u"

A6=10u"

A7=15u"

A8=20u"

A9=30u"

S1=Ordinary Tin Plated

S2=Matte Tin Plated

S3=Tin-plated High-temperature

Semi-gold

B0=0.8U"

B1=1U"

B2=1.5U"

B3=2U"

B4=3U"

B5=5U"

B6=10U"

B7=15U"

B8=20U"

B9=30U"

INSULATOR

MATERIAL:

A: PBT

B: PA6T

C: PA9T

D: LCP

PACKING

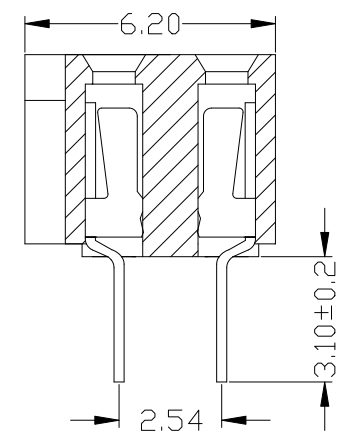
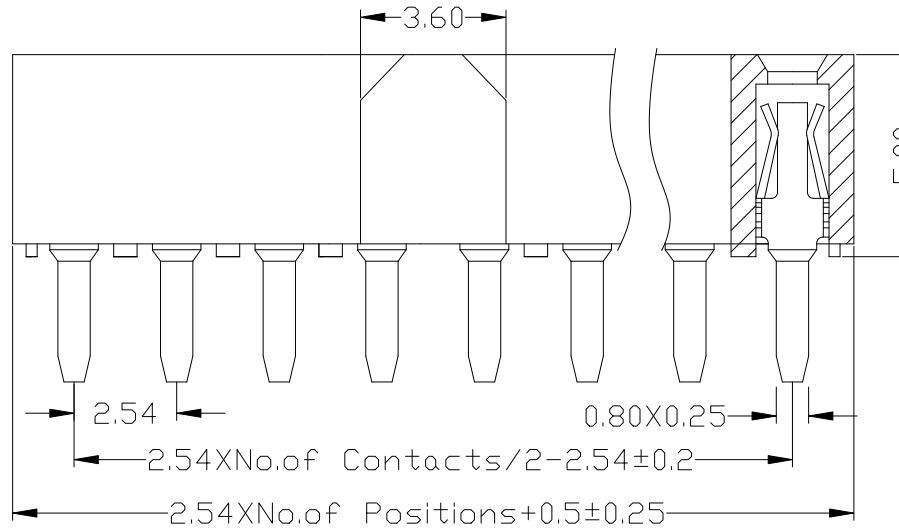
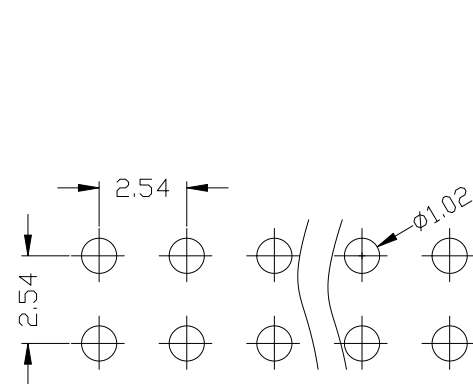
A: PE Bag

B: Tape & Reel

C: Tube

D: Tube+CAP

E: Tray



					OPERATION		SCALE		Fit		上海高霖电子有限公司				
					X.X	±0.25	UNIT		MM						
					X.XX	±0.20	SIZE	A4	DESIGN	卢小强	PART NO.	F150-12XXXXXSUX2			
					X.XXX	±0.10	SHEET	1/1	CHECK		TITLE:	2.54 双排母 塑高5.0 180度 带凸点 U型			
REV	DATE	MODIFICATION DESCRIPTION			CHANGE	APPROVE	Angle	±3°	PROJ.	⊕	APPROVE	Customer No.			
							DIM	TOL							

Specifications

备注 (Remark)

1. 材料 (MATERIAL)

胶芯: PA6T/PBT+30%G. F UL94V-0, 颜色: 黑色.

Housing: PA6T/PBT+30%G. F UL94V-0, Color: Black

端子: 磷/青铜, 镍底30u"MIN, 表面镀金1u"MIN

Contact: Phosphor bronze, 1u"MIN GOLD PLATING OVER ALL

30u" MIN NICKEL UNDERPLATING OVER ALL

2. 特性 (characteristics):

额定电流: 3 AMP

Rating Current: 3 AMP.

接触阻抗: 20 mΩ MAX.

Contact Resistance: 20 mΩ MAX.

绝缘阻抗: 1000 MΩ MIN.

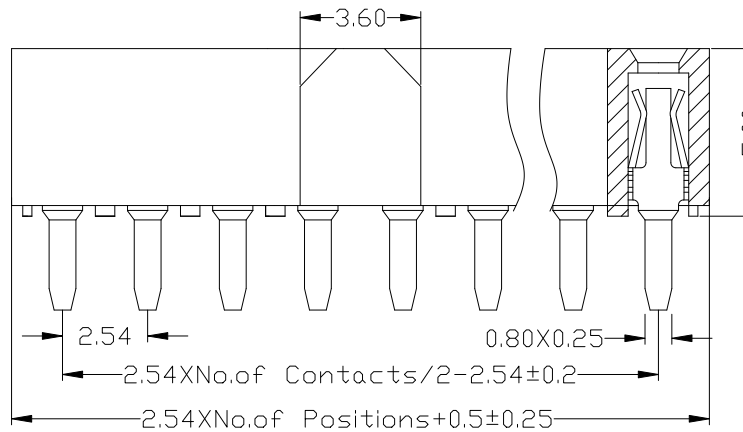
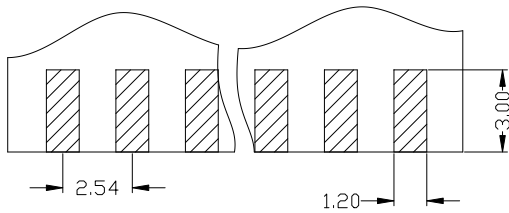
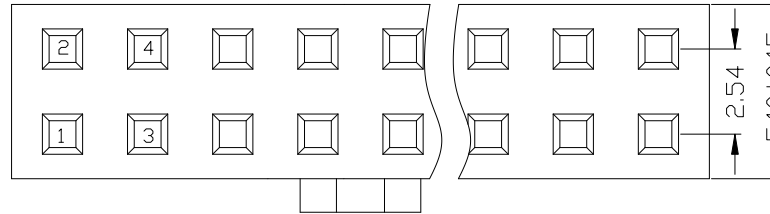
Insulating Resistance: 1000 MΩ MIN.

耐电压: AC 500V.

Withstanding Voltage: AC 500V.

温度范围: -40°C to +105°C

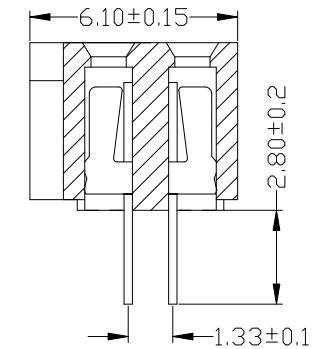
Temperature Range: -40°C to +105°C



Ordering Information

F150-12 XX XX X SU AX

NO. OF PINS PER ROW 2~40P	Contact Plating		INSULATOR MATERIAL:	PACKING
A0=0.8u"	Full Of Gold	Semi-gold	A: PBT	A: PE Bag
A1=1u"			B: PA6T	B: Tape & Reel
A2=1.5u"			C: PA9T	C: Tube
A3=2u"			D: LCP	D: Tube+CAP
A4=3u"				E: Tray
A5=5u"				
A6=10u"				
A7=15u"				
A8=20u"				
A9=30u"				
	S1=Ordinary Tin Plated			
	S2=Matte Tin Plated			
	S3=Tin-plated High-temperature			



上海高霖电子有限公司

					OPERATION		SCALE		Fit		上海高霖电子有限公司			
					X.X	±0.25	UNIT		MM					
					X.XX	±0.20	SIZE	A4	DESIGN	卢小强	PART NO.	F150-12XXXXXSUX2		
					X.XXX	±0.10	SHEET	1/1	CHECK		TITLE:	2.54mm 双排母 塑高5.0 180度 U型 带凸		
REV	DATE	MODIFICATION DESCRIPTION			CHANGE	APPROVE	PROJ.	⊕	APPROVE		Customer No.	点		