

Specifications

备注 (Remark)

1. 材料 (MATERIAL)

胶芯: PA6T+30%G. F UL94V-0, 颜色: 黑色.

Housing: PA6T+30%G. F UL94V-0, Color: Black

端子: 磷/青铜, 镍底30u"MIN, 表面镀金1u"MIN

Contact: Phosphor bronze, 1u"MIN GOLD PLATING OVER ALL
30u" MIN NICKEL UNDERPLATING OVER ALL

2. 特性 (Characteristics):

额定电流: 3 AMP

Rating Current: 3 AMP.

接触阻抗: 20 mΩ MAX.

Contact Resistance: 20 mΩ MAX.

绝缘阻抗: 1000 MΩ MIN.

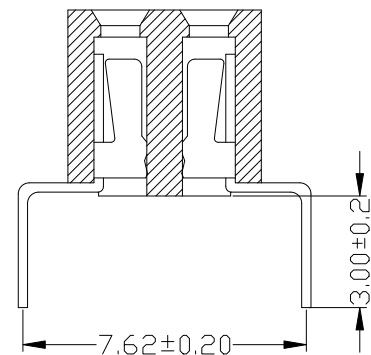
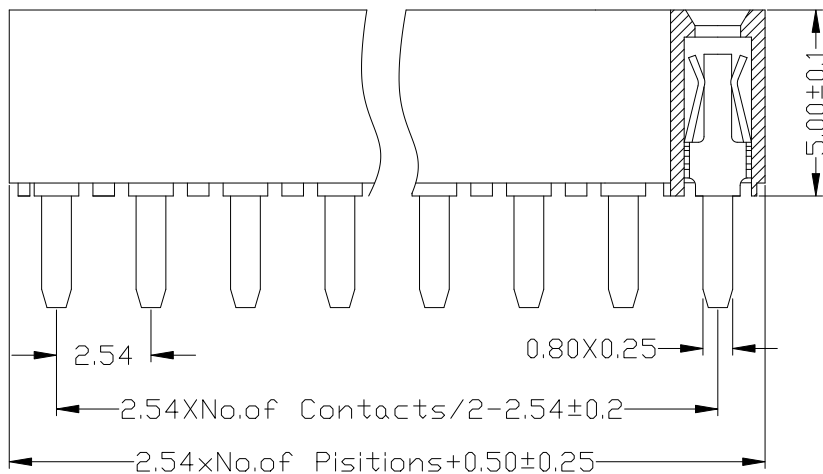
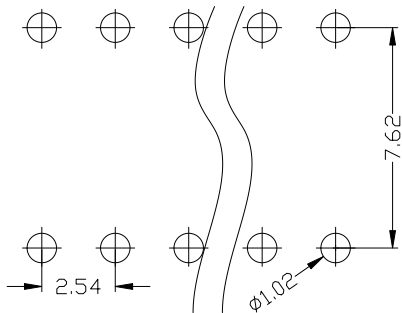
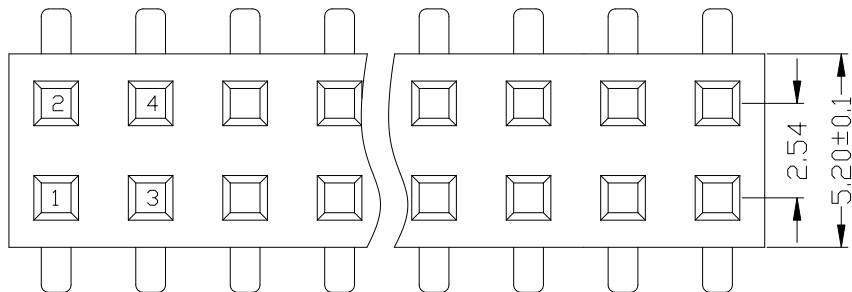
Insulating Resistance: 1000 MΩ MIN.

耐电压: AC 500V.

Withstanding Voltage: AC 500V.

温度范围: -40°C to +105°C

Temperature Range: -40°C to +105°C



Ordering Information

F150-12 XX XX X WU AX

NO. OF PINS
PER ROW
2~40P

Contact Plating
Full Of Gold
A0=0.8u"
A1=1u"
A2=1.5u"
A3=2u"
A4=3u"
A5=5u"
A6=10u"
A7=15u"
A8=20u"
A9=30u"
S1=Ordinary Tin Plated
S2=Matte Tin Plated
S3=Tin-plated High-temperature

INSULATOR
MATERIAL:
B: PA6T
C: PA9T
D: LCP

PACKING
A: PE Bag
B: Tape & Reel
C: Tube
D: Tube+CAP
E: Tray

上海高霖电子有限公司

卢小强

PART NO.

F150-12XXXXXWUX3

TITLE:

2.54mm双排母 塑高5.0 蜈蚣脚 脚距7.62

Customer No.

REV	DATE	MODIFICATION DESCRIPTION	CHANGE	APPROVE	OPERATION		SCALE		Fit	
					X.X	±0.25	UNIT		MM	
					X.XX	±0.20	SIZE	A4	DESIGN	
					X.XXX	±0.10	SHEET	1/1	CHECK	
					Angle	±3°	PROJ.	☉	APPROVE	
					DIM	TOL				

Specifications

备注 (Remark)

1. 材料 (MATERIAL)

胶芯: PA6T+30%G.F UL94V-0, 颜色: 黑色.

Housing: PA6T+30%G.F UL94V-0, Color: Black

端子: 磷/青铜, 镍底30u"MIN, 表面镀金1u"MIN

Contact: Phosphor bronze, 1u"MIN GOLD PLATING OVER ALL
30u" MIN NICKEL UNDERPLATING OVER ALL

2. 特性 (characteristics):

额定电流: 3 AMP

Rating Current: 3 AMP.

接触阻抗: 20 mΩ MAX.

Contact Resistance: 20 mΩ MAX.

绝缘阻抗: 1000 MΩ MIN.

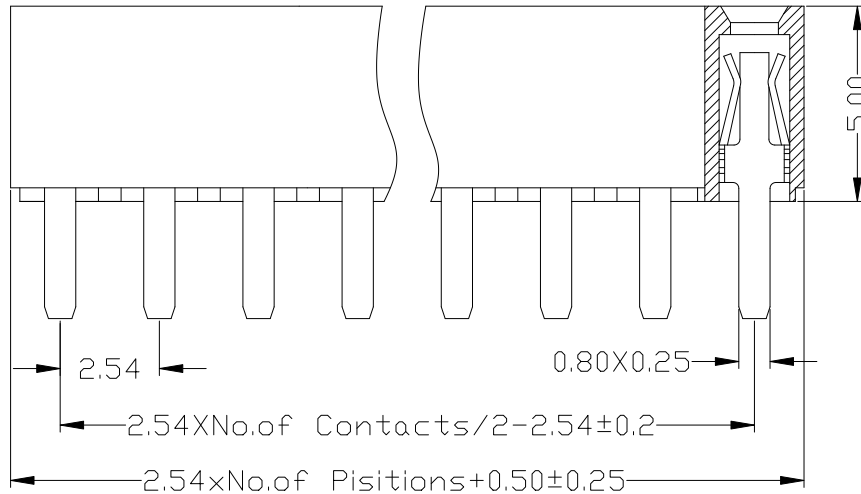
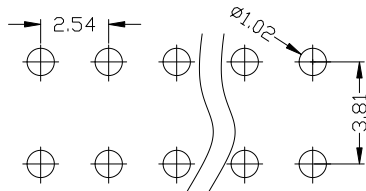
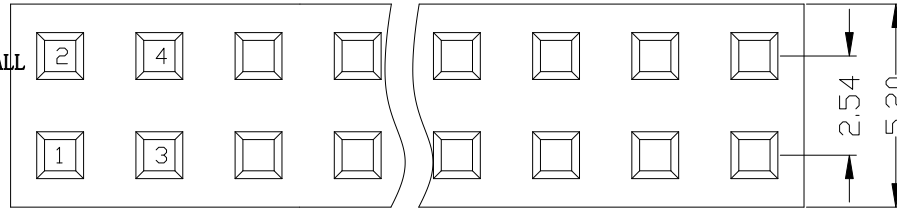
Insulating Resistance: 1000 MΩ MIN.

耐电压: AC 500V.

Withstanding Voltage: AC 500V.

温度范围: -40°C to +105°C

Temperture Range: -40°C to +105°C



Ordering Information

F150-12 XX XX X WU AX

NO. OF PINS
PER ROW
2-40P

Contact Plating
Full Of Gold

Semi-gold

INSULATOR
MATERIAL:

PACKING
A: PE Bag

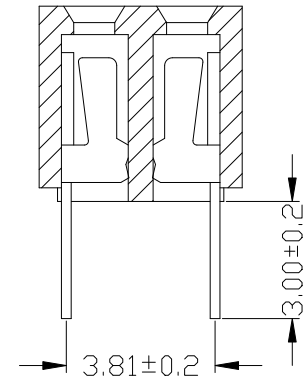
A0=0.8u"
A1=1u"
A2=1.5u"
A3=2u"
A4=3u"
A5=5u"
A6=10u"
A7=15u"
A8=20u"
A9=30u"

B0=0.8U"
B1=1U"
B2=1.5U"
B3=2U"
B4=3U"
B5=5U"
B6=10U"
B7=15U"
B8=20U"
B9=30U"

B: PA6T
C: PA9T
D: LCP

B: Tape & Reel
C: Tube
D: Tube+CAP
E: Tray

S1=Ordinary Tin Plated
S2=Matte Tin Plated
S3=Tin-plated High-temperature



				OPERATION		SCALE		Fit		<h2 style="text-align: center;">上海高霖电子有限公司</h2>						
				X.X	±0.25	UNIT		MM								
				X.XX	±0.20	SIZE	A4	DESIGN	卢小强					PART NO.	F150-12XXXXXWUX1	
				X.XXX	±0.10	SHEET	1/1	CHECK						TITLE:	2.54mm 双排母 塑高5.0 蜈蚣脚 脚距3.81	
REV	DATE	MODIFICATION DESCRIPTION		CHANGE	APPROVE	DIM	TOL	PROJ.	APPROVE	Customer No.						

Specifications

备注 (Remark)

1. 材料 (MATERIAL)

胶芯: PA6T+30%G.F UL94V-0, 颜色: 黑色.

Housing: PA6T+30%G.F UL94V-0, Color: Black

端子: 磷/青铜, 镍底30u"MIN, 表面镀金1u"MIN

Contact: Phosphor bronze, 1u"MIN GOLD PLATING OVER ALL
30u" MIN NICKEL UNDERPLATING OVER ALL

2. 特性 (characteristics):

额定电流: 3 AMP

Rating Current: 3 AMP.

接触阻抗: 20 mΩ MAX.

Contact Resistance: 20 mΩ MAX.

绝缘阻抗: 1000 MΩ MIN.

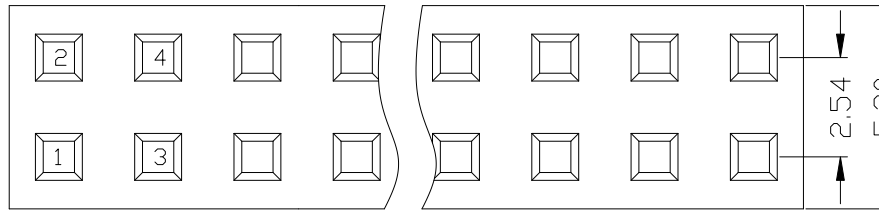
Insulating Resistance: 1000 MΩ MIN.

耐电压: AC 500V.

Withstanding Voltage: AC 500V.

温度范围: -40°C to +105°C

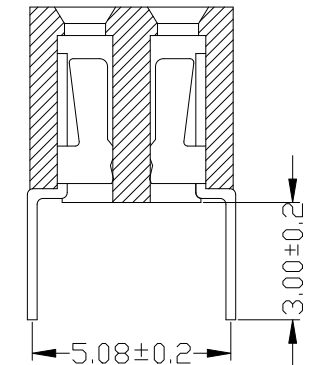
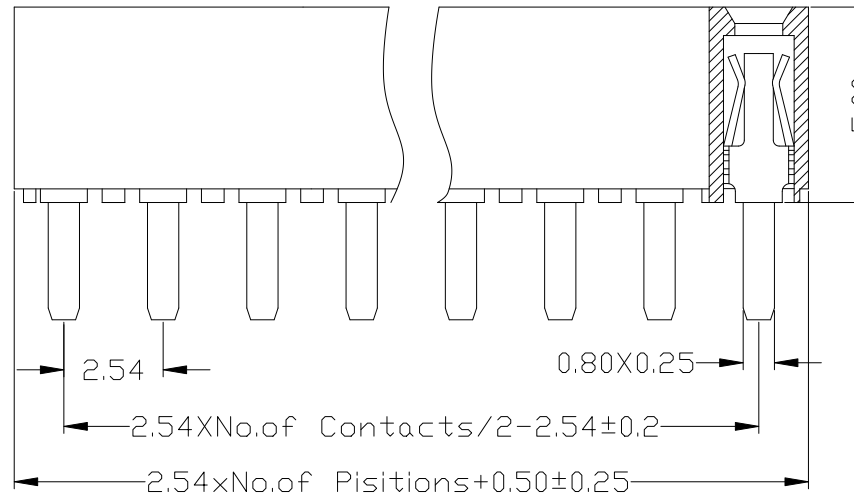
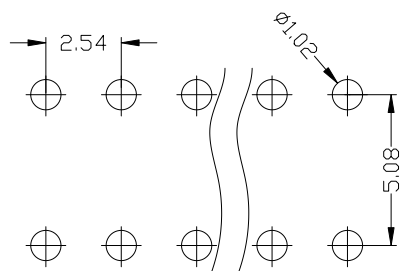
Temperature Range: -40°C to +105°C



Ordering Information

F150-12 XX XX X WU AX

NO. OF PINS PER ROW 2~40P	Contact Plating	INSULATOR MATERIAL:	PACKING
A0=0.8u"	Full Of Gold	B: PA6T	A: PE Bag
A1=1u"	Semi-gold	C: PA9T	B: Tape & Reel
A2=1.5u"	B0=0.8U"	D: LCP	C: Tube
A3=2u"	B1=1U"		D: Tube+CAP
A4=3u"	B2=1.5U"		E: Tray
A5=5u"	B3=2U"		
A6=10u"	B4=3U"		
A7=15u"	B5=5U"		
A8=20u"	B6=10U"		
A9=30u"	B7=15U"		
	B8=20U"		
	B9=30U"		
	S1=Ordinary Tin Plated		
	S2=Matte Tin Plated		
	S3=Tin-plated High-temperature		



REV	DATE	MODIFICATION DESCRIPTION	CHANGE	APPROVE	OPERATION		SCALE		Fit		上海高霖电子有限公司			
					DIM	TOL	SIZE	UNIT	MM	MM				
					X.X	±0.25	SIZE	A4	DESIGN	卢小强	PART NO.	F150-12XXXXXWUX2		
					X.XX	±0.20	SHEET	1/1	CHECK		TITLE:	2.54mm 双排母 塑高5.0 蜈蚣脚 脚距5.08		
					X.XXX	±0.10	PROJ.	☉	APPROVE		Customer No.			
					Angle	±3°								